

TRS-MS04

PARTS LIST

■ CONTENTS

| | |
|-----------------------------|---|
| WOOFER SPEAKER SYSTEM | 2 |
|-----------------------------|---|

Notes : DESTINATION ABBREVIATIONS

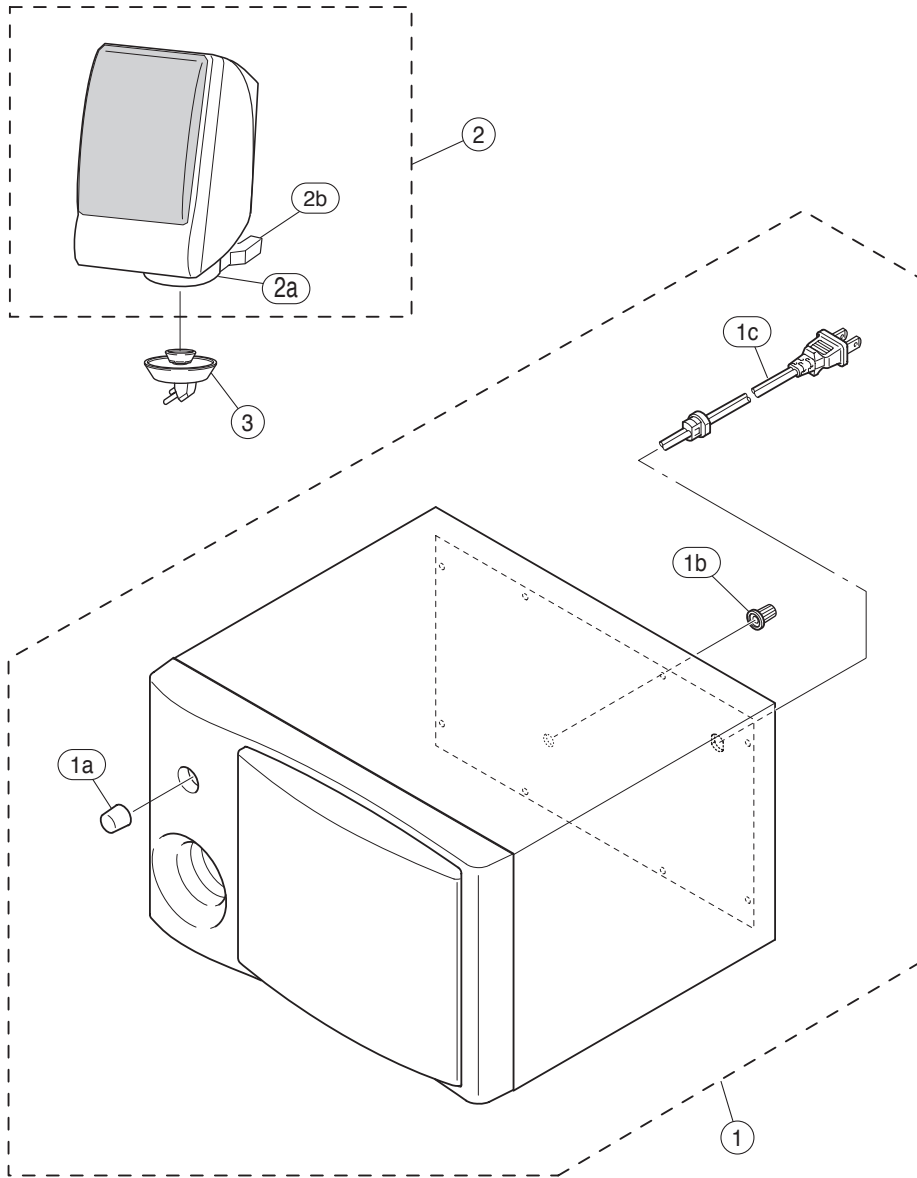
| | |
|--------------------------|---------------------------------|
| A : Australian model | M : South African model |
| B : British model | O : Chinese model |
| C : Canadian model | P : Brazilian model |
| D : German model | Q : South-east Asia model |
| E : European model | T : Taiwan model |
| F : French model | U : U.S.A. model |
| H : North European model | V : General export model (110V) |
| I : Indonesian model | W : General export model (220V) |
| J : Japanese model | N,X: General export model |
| K : Korean model | Y : Export model |

■ WARNING

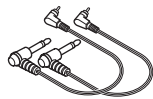
Components having special characteristics are marked  and must be replaced with parts having specification equal to those originally installed.

- The numbers "QTY" show quantities for each unit.
- The parts with "--" in "PART NO." are not available as spare parts.
- This mark "}" in the REMARKS column means these parts are interchangeable.
- The second letter of the shaded (■) part number is O, not zero.
- The second letter of the shaded (■) part number is I, not one.

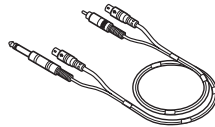
WOOFER SPEAKER SYSTEM



ACCESSORIES



Speaker Cable
(RCA pin cables)



Woofer Cable
(RCA pin/8-pin combination cable)

| REF NO. | PART NO. | DESCRIPTION | 部 品 名 | REMARKS | QTY | RANK |
|---------|----------|--|------------------------------|-----------------------|-----|------|
| | -- | WOOFER SPEAKER SYSTEM SERVICE PARTS KIT | ウーファースピーカシステム サービスパーツキット | TRS-MS04 (WV22710) | | |
| * 1 | WV266900 | WOOFER UNIT U | ウーファーユニット U | U | | |
| * 1 | WV266700 | WOOFER UNIT E | ウーファーユニット E | E | | |
| * 1 | WV267000 | WOOFER UNIT B | ウーファーユニット B | B | | |
| * 1 | WV267100 | WOOFER UNIT A | ウーファーユニット A | A | | |
| 1a | WF887500 | KNOB VR | 508593 V R ノ ブ | BASS | | |
| 1b | WV267200 | KNOB VR | 425201 V R ノ ブ | MASTER VOLUME | | |
| 1c | V8366300 | AC CORD | 電 源 コ ー ド | U | | 04 |
| 1c | V8366400 | AC CORD | PHP-205 電 源 コ ー ド | E | | 04 |
| 1c | WF886300 | AC CORD | PHP-330 電 源 コ ー ド | B | | 11 |
| 1c | WF886400 | AC CORD | PHP-208 電 源 コ ー ド | A | | 08 |
| 2 | WV267400 | SATELLITE SPEAKER | サテライトスピーカ | | 2 | |
| 2a | WF887300 | TABLE | 365301 テ ー ブ ル | | 2 | 03 |
| 2b | WF887400 | LEVER | 365302 レ バ ー | | 2 | 03 |
| 3 | WF237400 | SPEAKER STAND ASSEMBLY | 423260 スピーカスタンド A s s ' y | | 2 | 07 |
| | | ACCESSORIES | 付 属 品 | | | |
| | WF887200 | WOOFER CABLE | 423350 ウーファーケーブル | | | 08 |
| | WF887100 | SPEAKER CABLE | 422181 スピーカケーブル | | 2 | 06 |



*: New Parts

RANK: Japan only